

# Drain Line Flow Controls NPT or BSPT



## V3079 or V3079BSPT 1.25" DLFC

- 1.25" FPT x 1.5" FPT Inline Drain Line Flow Control suited for commercial and industrial applications
- Stainless steel housing
- Flow rates from 9 gpm to 85 gpm
- Reliable and proven flow button design
- 1.25" NPT female pipe inlet with 1.5" NPT or BSPT female pipe outlet
- Easily disassembled with four bolts for cleaning
- For use on model WS1.5 and WS2L and other manufacturer controls

## V3080 or V3080BSPT 1.5" DLFC

- 1.5" MPT x 1.5" FPT Inline Drain Line Flow Control suited for commercial and industrial applications
- Stainless steel housing
- Flow rates from 9 gpm to 85 gpm
- Reliable and proven flow button design
- 1.5" NPT male pipe inlet with 1.5" NPT or BSPT female pipe outlet
- Easily disassembled with four bolts for cleaning
- For use on model WS2 and other manufacturer controls

## V3051 or V3051BSPT 2" DLFC

- 2" Inline Drain Line Flow Control suited for commercial and industrial applications
- Stainless steel housing
- Flow rates from .7 gpm to 150 gpm
- Reliable and proven flow button design
- 2" female pipe connection or 2.5" groove lock coupling
- Easily disassembled with four bolts for cleaning
- For use on model WS2H and other manufacturer controls



Inlet View



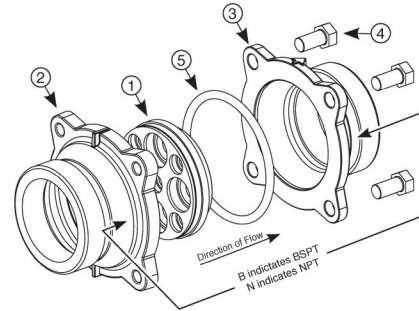
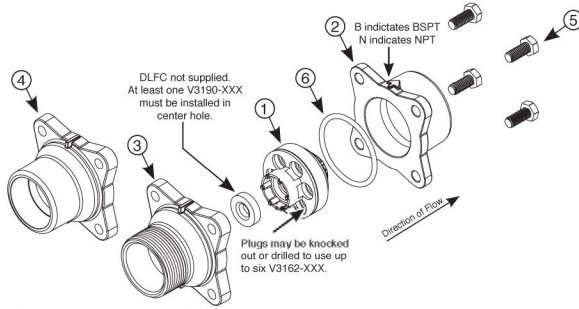
Outlet View

# Drain Line Flow Controls NPT or BSPT

**WS DLFC 1.25 x 1.5**  
Order No: V3079 or V3079BSPT

**WS DLFC 1.5 x 1.5**  
Order No: V3080 or V3080BSPT

**WS DLFC 2 x 2**  
Order No: V3051 or V3051BSPT



Drawing No.	Order No.	Description	Quantity			
			V3079	V3079BSPT	V3080	V3080BSPT
<b>WS DLFC 1.25 x 1.5 and WS DLFC 1.5 x 1.5</b>						
1	V3081	WS15 RETAINER DLFC ASY	1	1	1	1
2	V3645	WS15 DLFC FLANGE OUTLET FNPT	1	-	1	-
	V3645BSPT	WS15 DLFC FLANGE OUTLET FBSPT	-	1	-	1
3	V3646	WS15 DLFC FLANGE INLET MNPT	-	-	1	1
4	V3647	WS125 DLFC FLANGE INLET FNPT	1	1	-	-
5	V3652	BOLT HEXHD S/S HCS 5/16-18x3/4	4	4	4	4
6	V3441	O-RING 226	1	1	1	1

<b>WS DLFC 2 x 2</b>						
Drawing No.	Order No.	Description	V3051		V3051BSPT	
1	V3052	WS2 DLFC RETAINER ASY	1			1
2	V3245	WS2 FLANGE INLET NPT	1			-
	V3245BSPT	WS2 FLANGE INLET BSPT	-			1
3	V3246	WS2 FLANGE OUTLET NPT	1			-
	V3246BSPT	WS2 FLANGE OUTLET BSPT	-			1
4	V3273	BOLT HEX HD S/S HCS 3/8-16X3/4	4			4
5	V3278	O-RING 338	1			1

Drain Line Flow Control Washers		
Not Shown	V3162-007	WS1 DLFC 0.7 gpm for 3/4
	V3162-010	WS1 DLFC 1.0 gpm for 3/4
	V3162-013	WS1 DLFC 1.3 gpm for 3/4
	V3162-017	WS1 DLFC 1.7 gpm for 3/4
	V3162-022	WS1 DLFC 2.2 gpm for 3/4
	V3162-027	WS1 DLFC 2.7 gpm for 3/4
	V3162-032	WS1 DLFC 3.2 gpm or 3/4
	V3162-042	WS1 DLFC 4.2 gpm for 3/4
	V3162-053	WS1 DLFC 5.3 gpm for 3/4
	V3162-065	WS1 DLFC 6.5 gpm for 3/4
	V3162-075	WS1 DLFC 7.5 gpm for 3/4
	V3162-090	WS1 DLFC 9.0 gpm for 3/4
	V3162-100	WS1 DLFC 10.0 gpm for 3/4
	V3190-090	WS1 DLFC 9.0 gpm for 1
	V3190-100	WS1 DLFC 10.0 gpm for 1
	V3190-110	WS1 DLFC 11.0 gpm for 1
	V3190-130	WS1 DLFC 13.0 gpm for 1
	V3190-150	WS1 DLFC 15.0 gpm for 1
	V3190-170	WS1 DLFC 17.0 gpm for 1
	V3190-200	WS1 DLFC 20.0 gpm for 1
V3190-250	WS1 DLFC 25.0 gpm for 1	

**For WS DLFC 1.25 x 1.5 and WS DLFC 1.5 x 1.5:**

Install at least one V3190-XXX in center hole. Knock out plugs allow installation of up to 6 more of V3162-XXX.

**For WS DLFC 2 x 2:**

Install One or More DLFC's.

Up to 5 of the V3162-XXX may be installed in the small holes.

Up to 4 of the V3190-XXX may be installed in the large holes.

### Assembly Instructions

#### Assembly Instructions for 1.25" and 1.5" Drain Line Flow Controls

- Assemblies are shipped without drain line flow control (DLFC).
- Determine the desired flow rate. Select one V3190-XXX for the center hole and a combination of V3162-XXX to arrive at the desired flow rate.  
At least one V3190-XXX must be used and up to six of the V3162-XXX may be used.
  - Using a drill or punch remove the desired knockout(s) in V3081.
  - Smooth hole(s).
  - Install appropriate size(s) of drain line flow control washers. Pay close attention to proper DLFC orientation.
  - Assemble. Properly orientate the V3081 in direction of flow.
  - Inlet threads for 1.25" female are NPT. Inlet threads for 1.5" male are NPT. Outlet threads for 1.5" are either female NPT or BSPT. 1.5" female outlet is stamped with N or B to indicate NPT or BSPT.

#### Assembly Instructions for 2" Drain Line Flow Controls

- Assemblies are shipped without drain line flow control (DLFC).
- Determine the desired flowrate. Select a combination of V3162-XXX's and V3190-XXX's to arrive at the desired flow rate. Up to five of the smaller V3162-XXX's may be used. Up to four of the larger V3190-XXX's may be used.
  - Using a drill or punch remove the desired knockout(s) in V3052.
  - Smooth hole(s).
  - Install appropriate size(s) of drain line flow control washers. Pay close attention to proper DLFC orientation.
  - Assemble. Properly orientate the V3052 in the direction of flow.
  - Inlet and outlet threads are 2" NPT. Couplings for iron pipe may also be used.